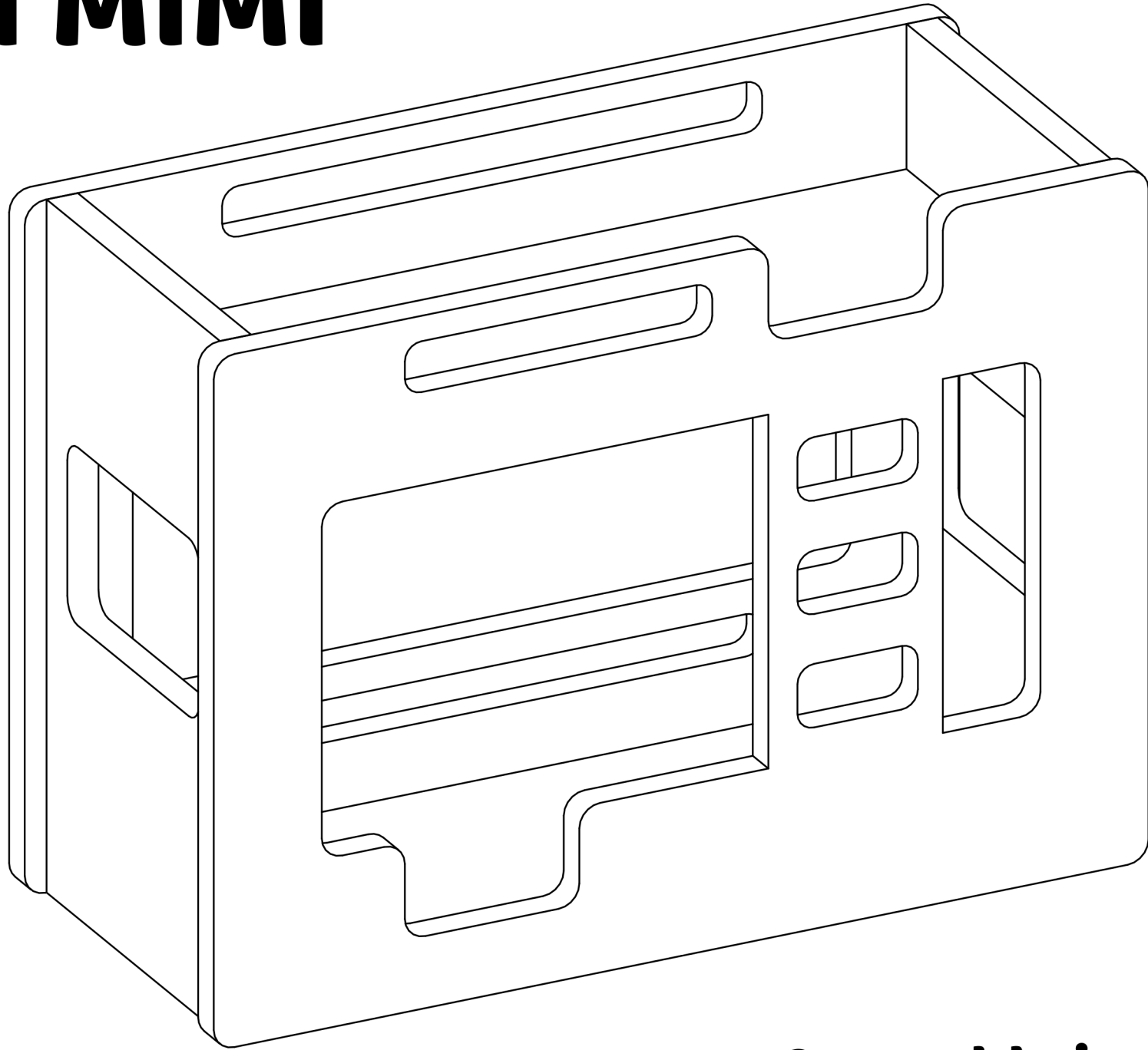
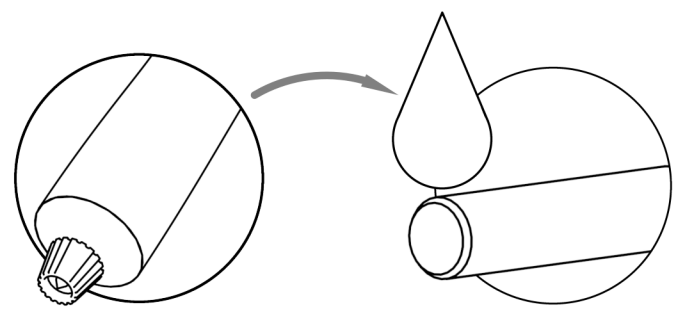
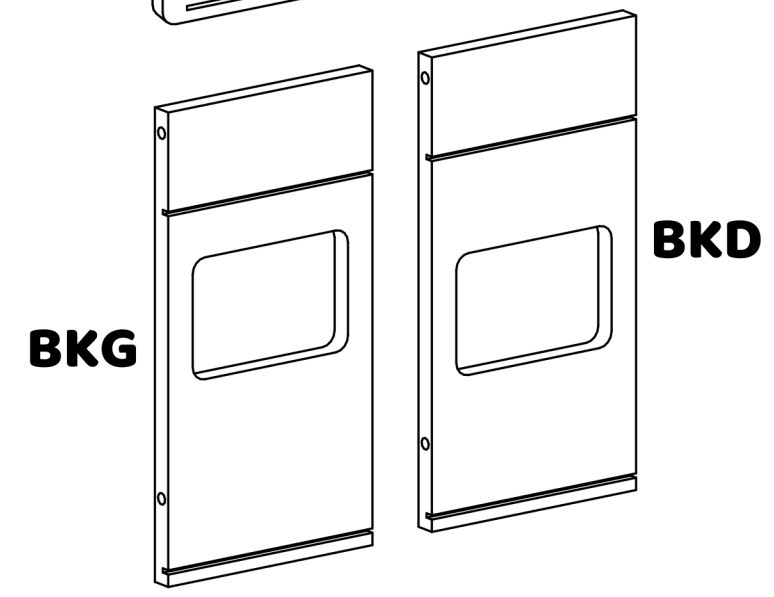
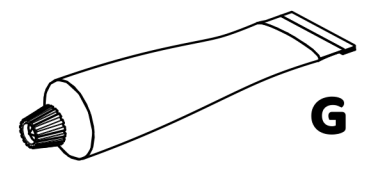
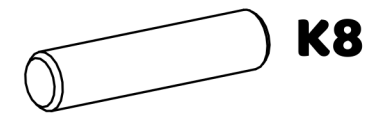
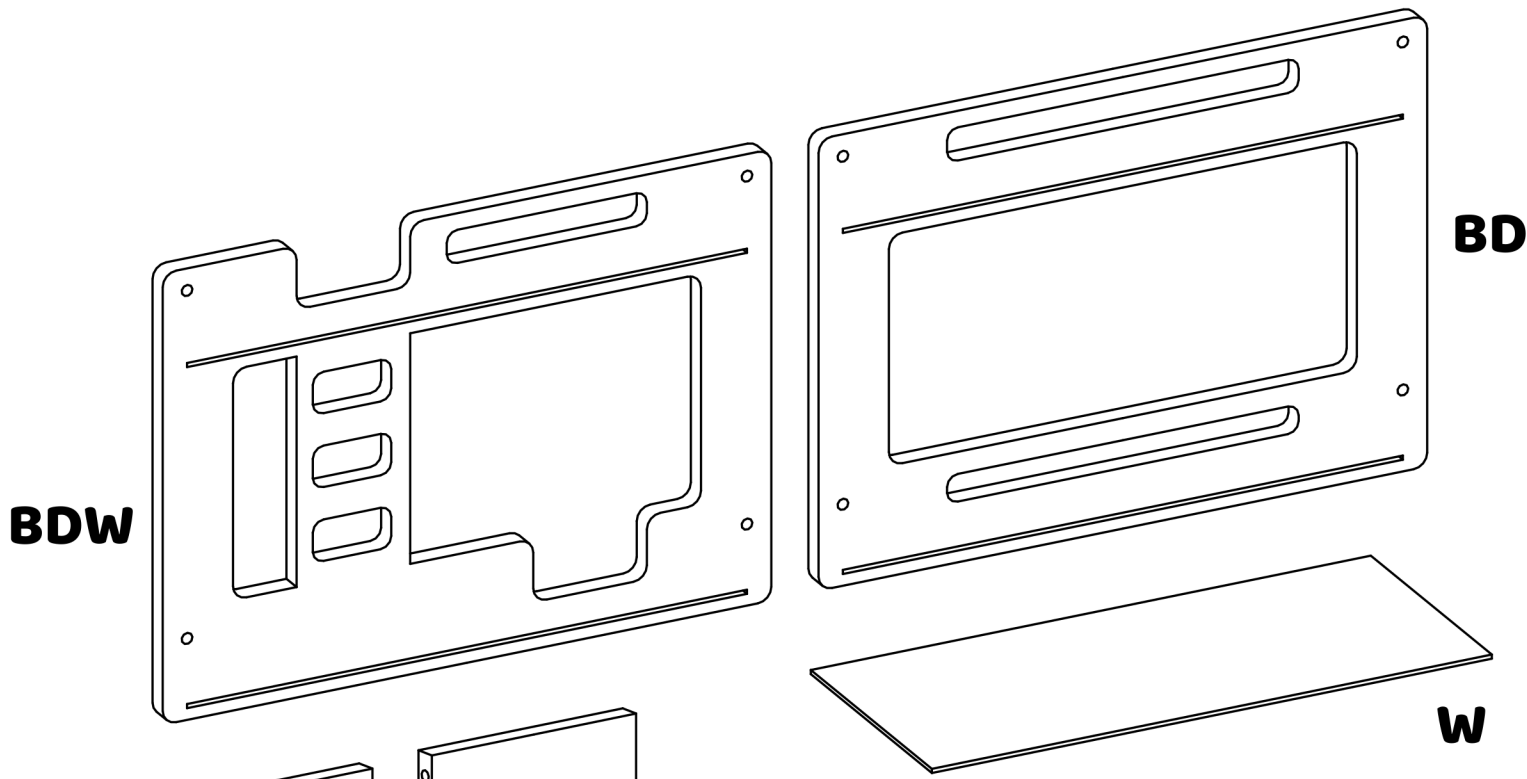


MINI MIMI

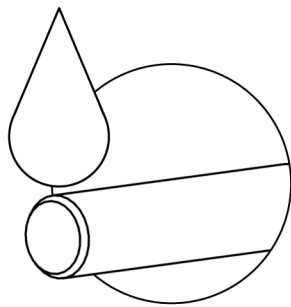
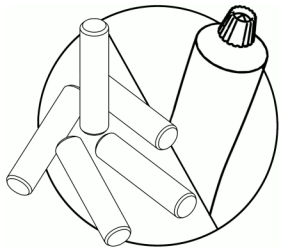


Assembly instruction



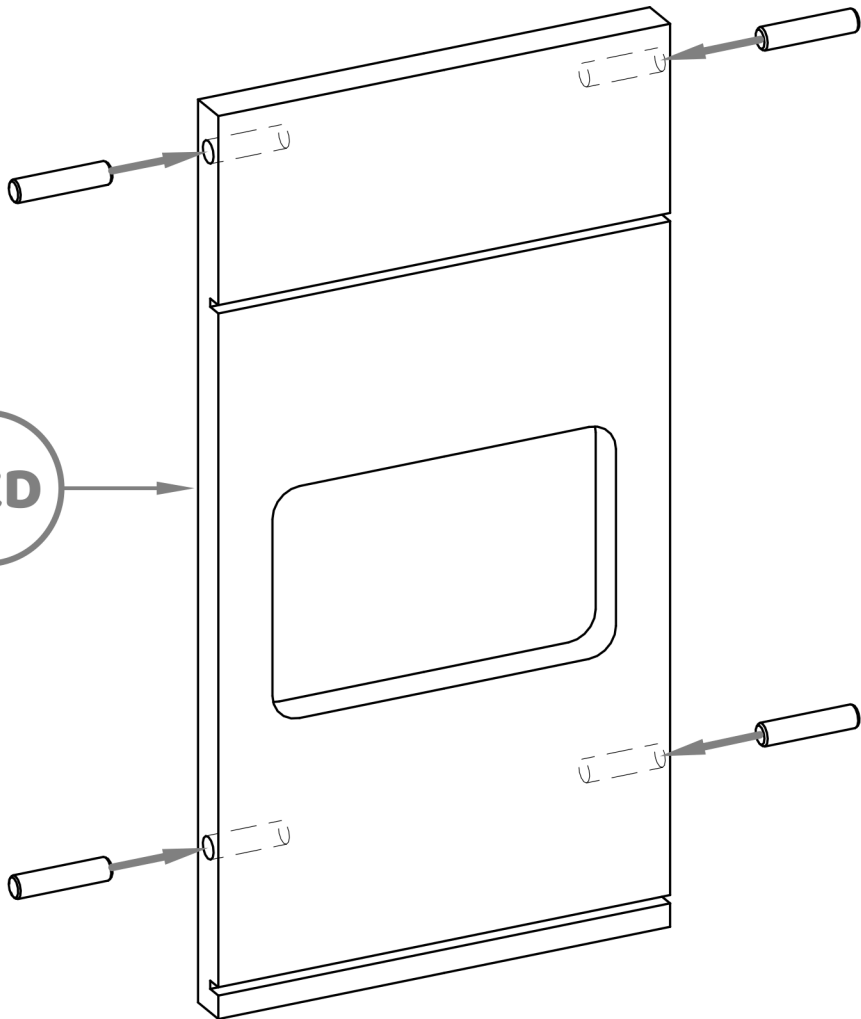
MINI MIMI

BDW	x1
BD	x1
BKG	x1
BKD	x1
W	x2
K	x8
G	x1

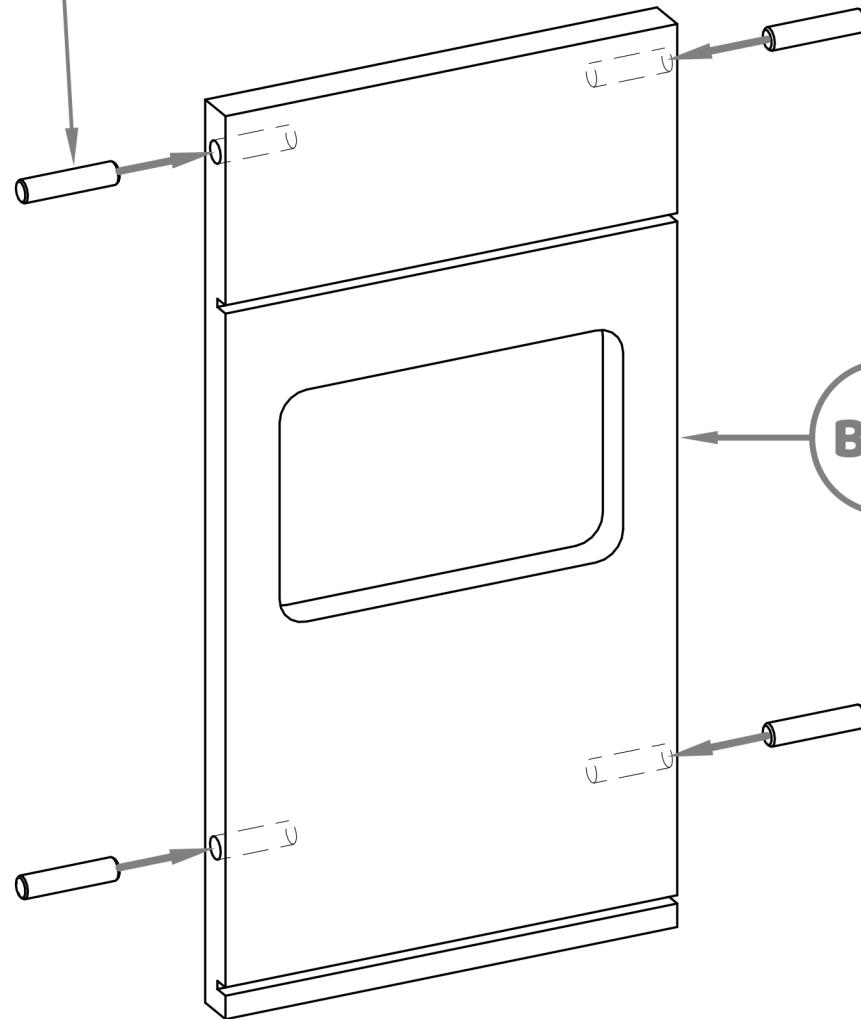


K8

BKD

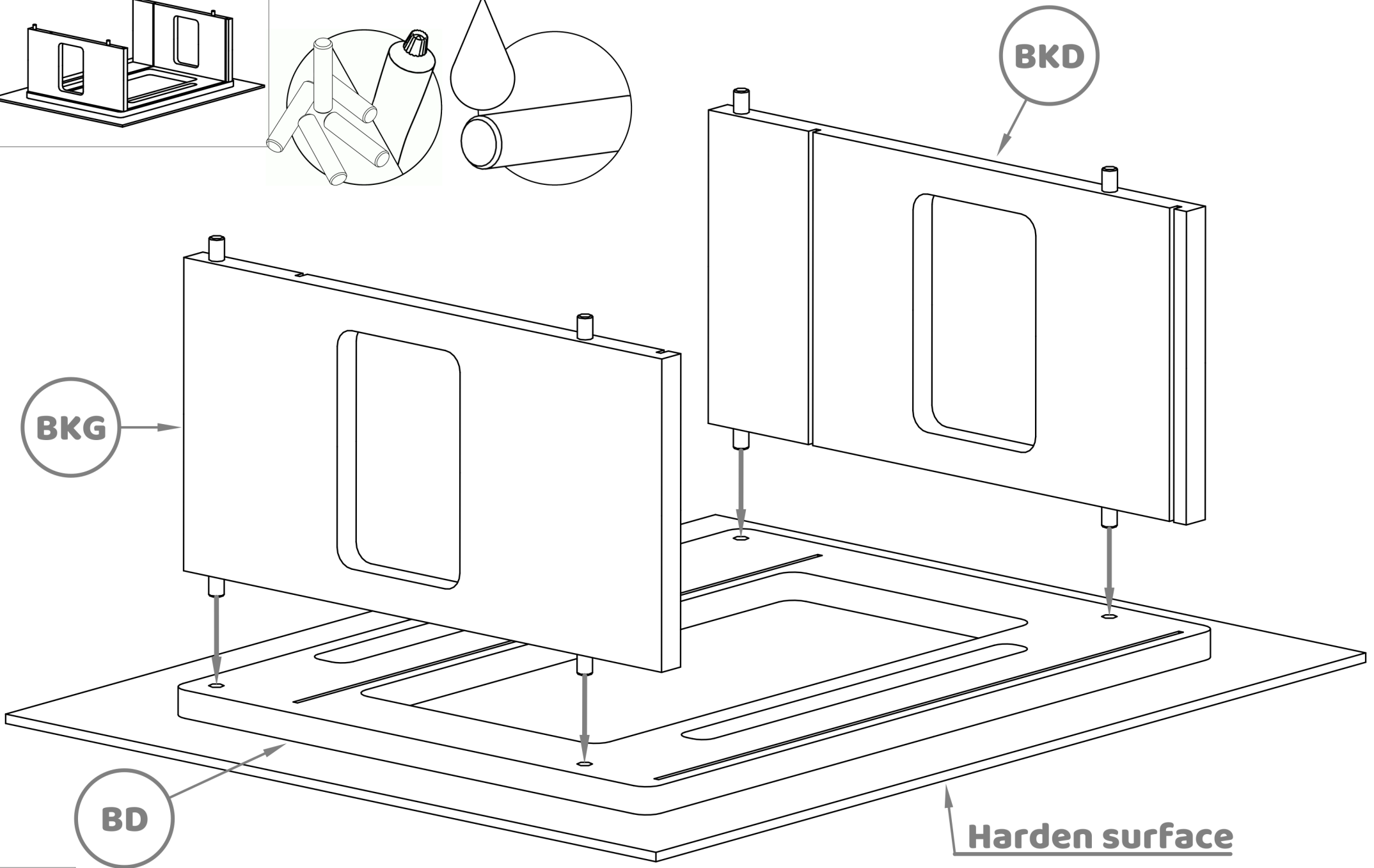
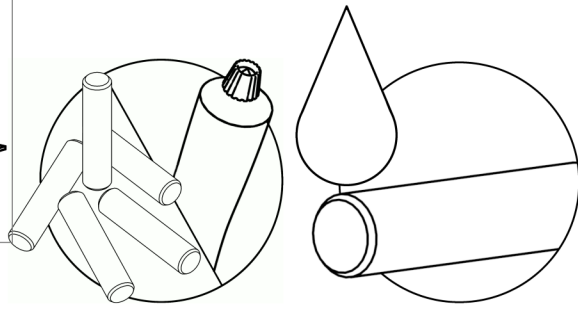
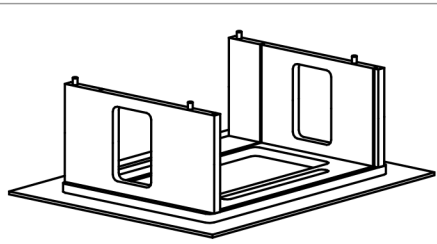


BKG



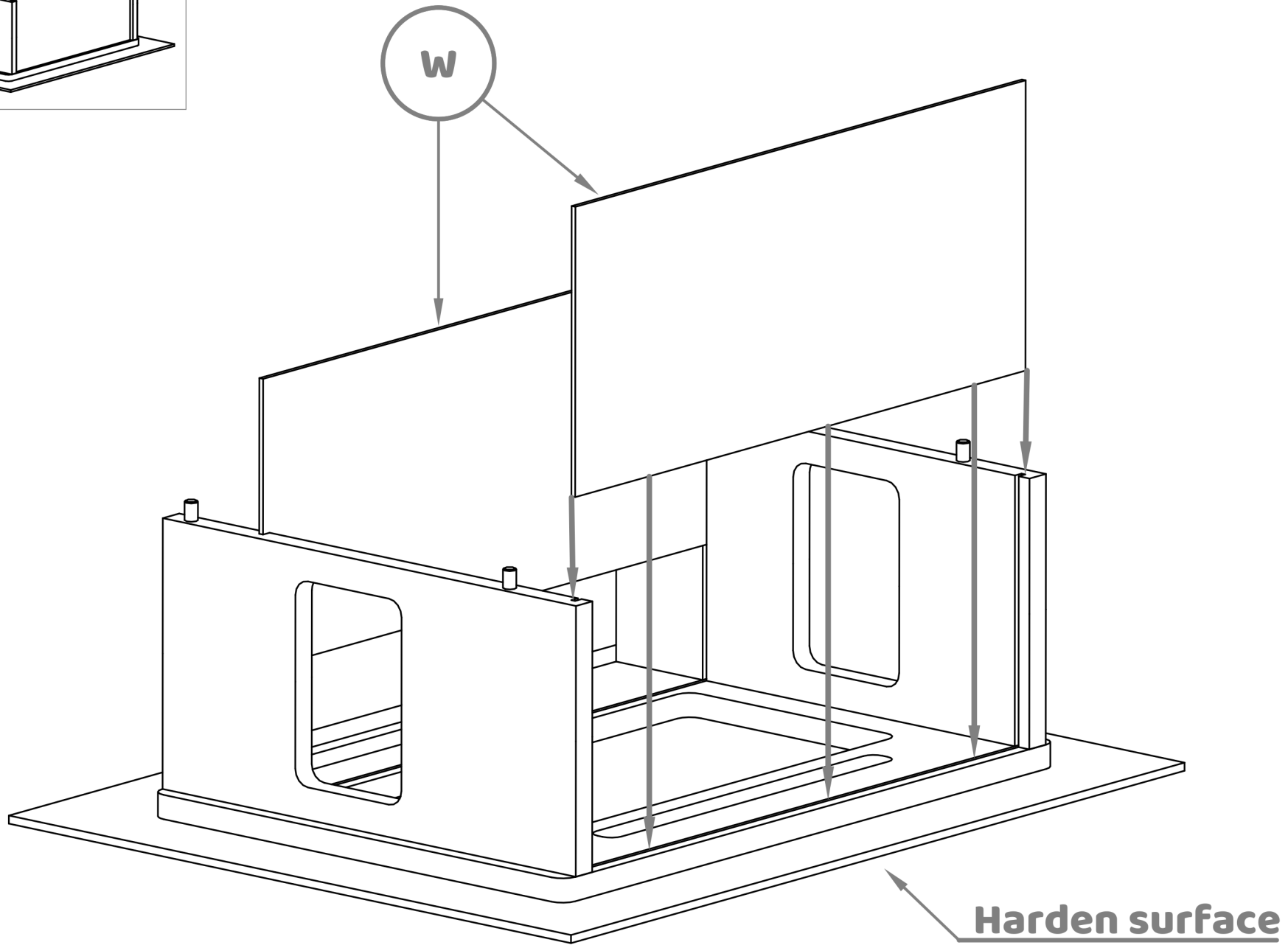
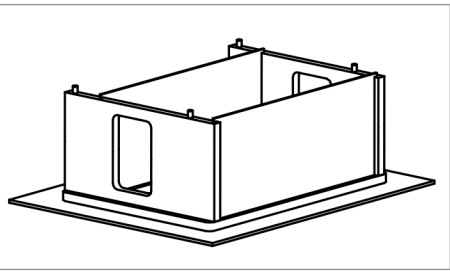
2

To avoid damaging parts of the toy, it is highly recommended to use flat and hard surface when inserting wooden pegs!

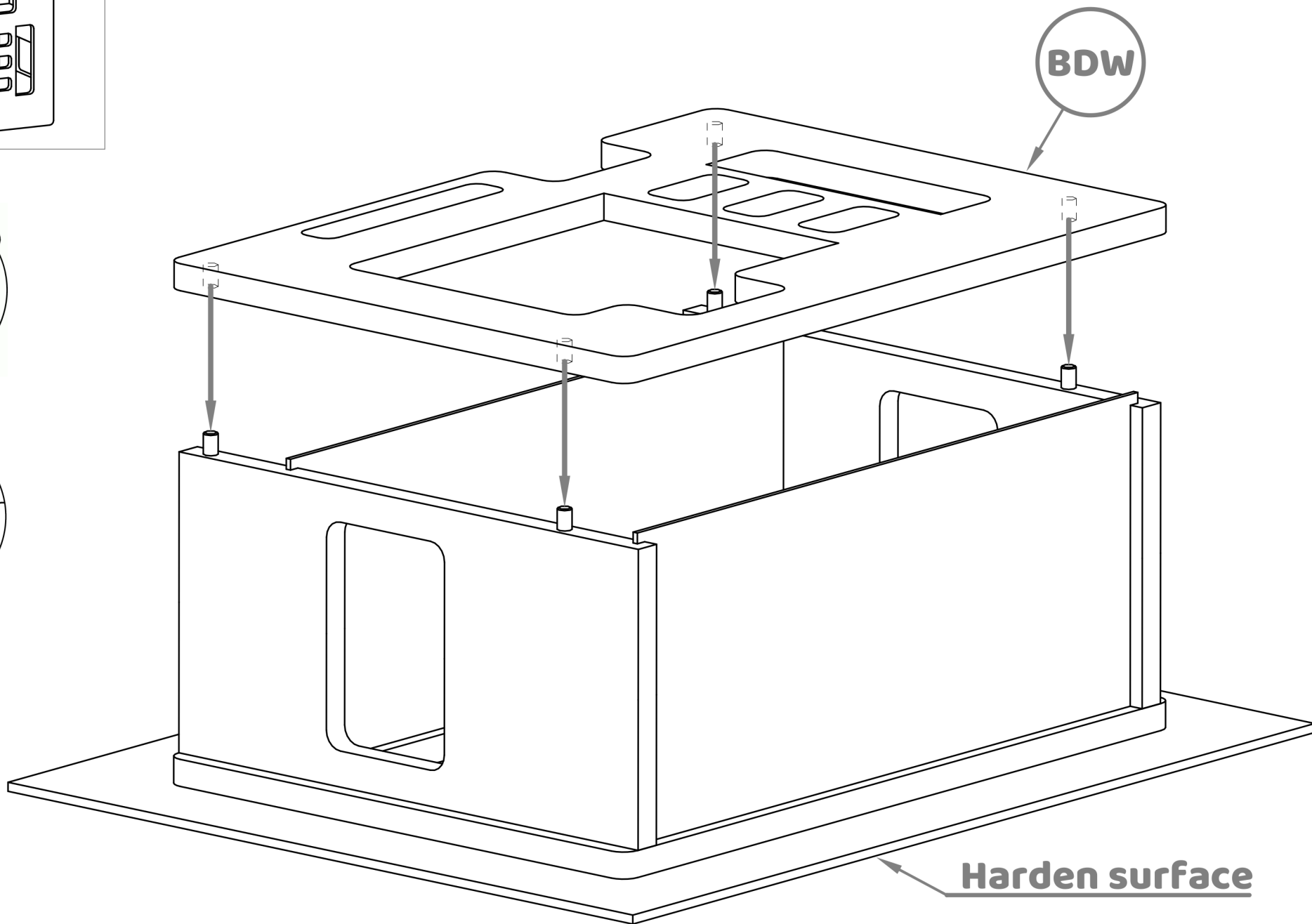
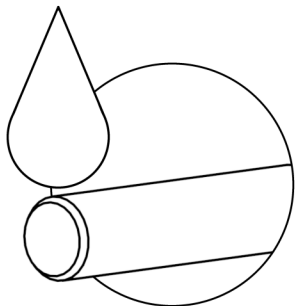
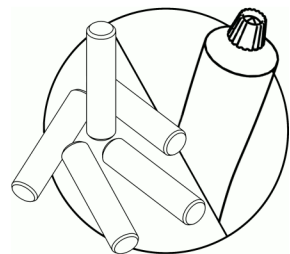
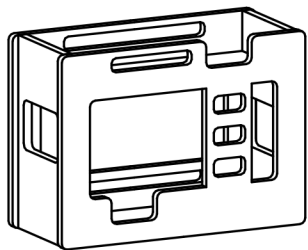


3

To avoid damaging parts of the toy, it is highly recommended to use flat and hard surface when inserting wooden pegs!



4

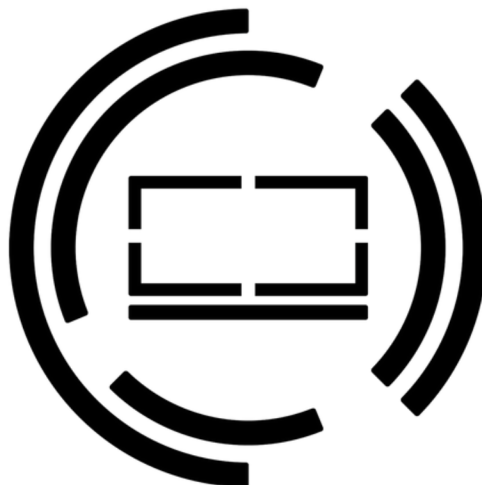


5

To avoid damaging parts of the toy, it is highly recommended to use flat and hard surface when inserting wooden pegs!

ADDRESS

SMARTWOOD
Łazy 103a
37-550 Radymno



smartwood®

CONTACT

PL

shop@smartwood.pl
+48 535 982 922

ENG/DE/FR/IT/ES

*Support only in German and English

shop@smartwood.de
+49 160 98618205

smartwood.pl

smartwood.de

SCAN
ME

