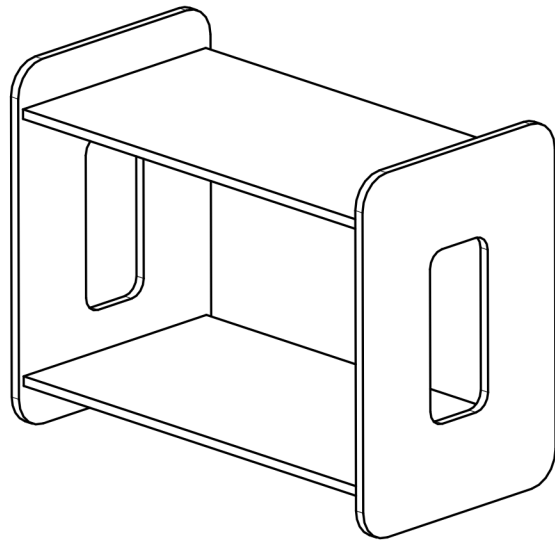


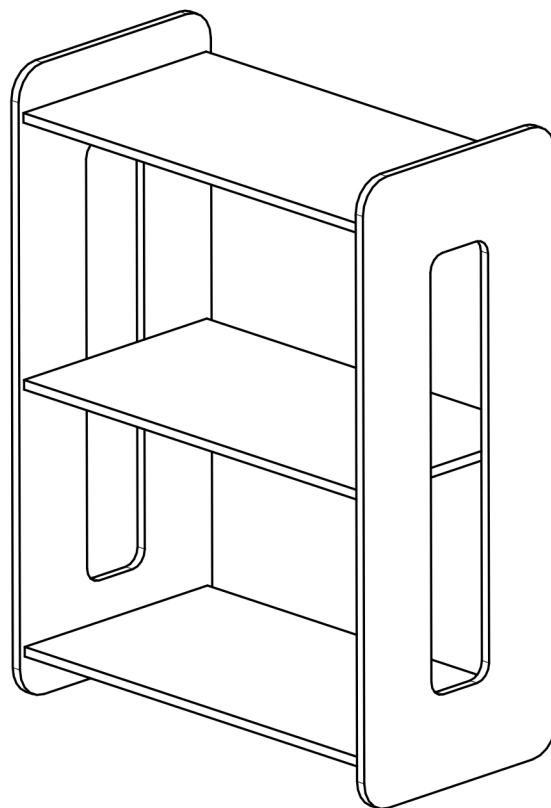
DRONE RG

S



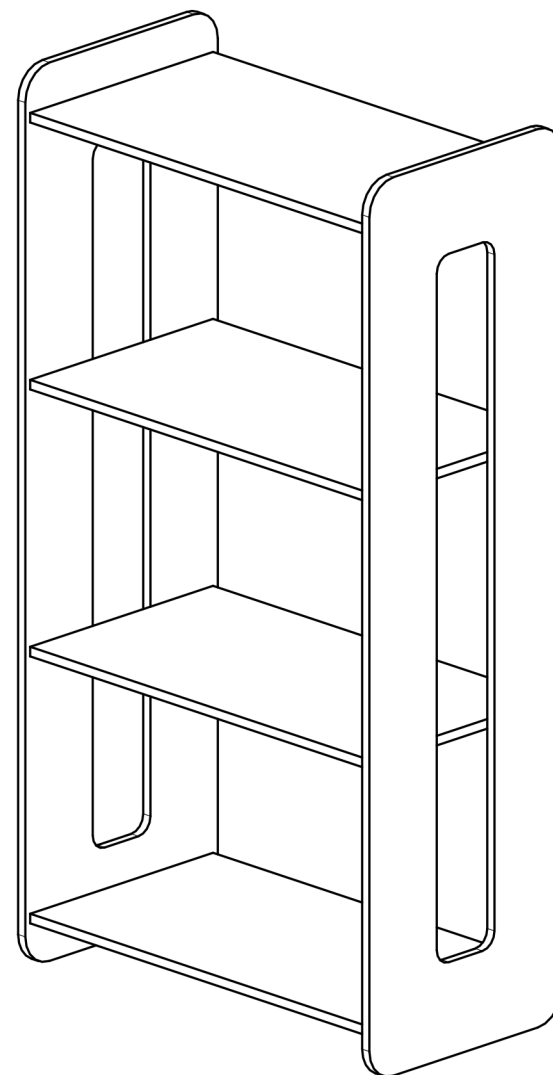
SMALL

M



MEDIUM

L



LARGE

PLEASE READ BEFORE ASSEMBLY

- 1) Make sure there is enough free space for installation.
- 2) Before fully unpacking, please measure the elements whether they match the order.
- 3) After unpacking the elements from the boxes, please check the completeness of the set with the assembly instructions – if you find that something is missing – let us know and if necessary, we will send the missing parts.
- 4) Consider whether you will need help with assembly, if you find it necessary, find someone to help you.
(For bunk beds assembly, we recommend two people).
- 5) The installation of wooden dowels must be done on a solid, flat surface. By using a hammer in this process, remember not to use too much force.

REMEMBER!

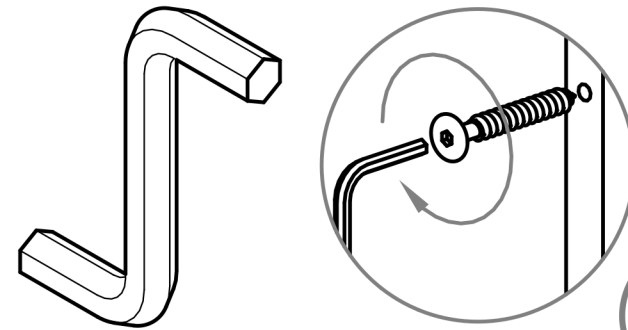
NEVER HAMMER WOODEN DOWELS IN THE AIR OR WITHOUT SUPPORT!

RECOMMENDED ASSEMBLY TOOLS



K[]

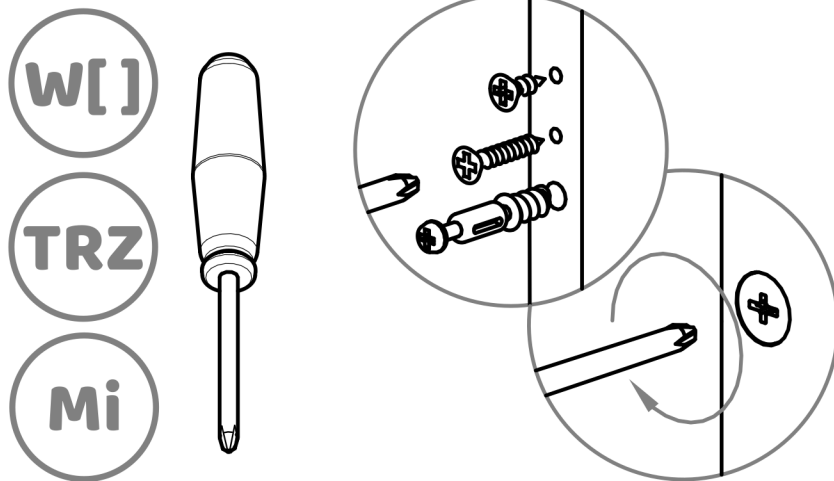
HAMMER for DOWELS



S[]

Included in assembly kit!

ALLEN KEY for SCREWS

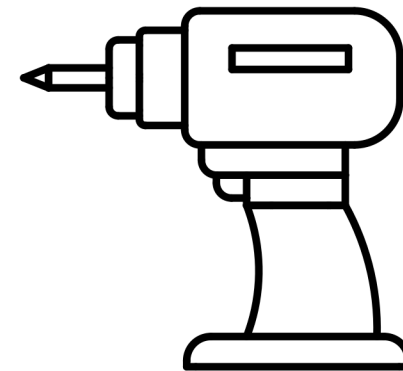


W[]

TRZ

Mi

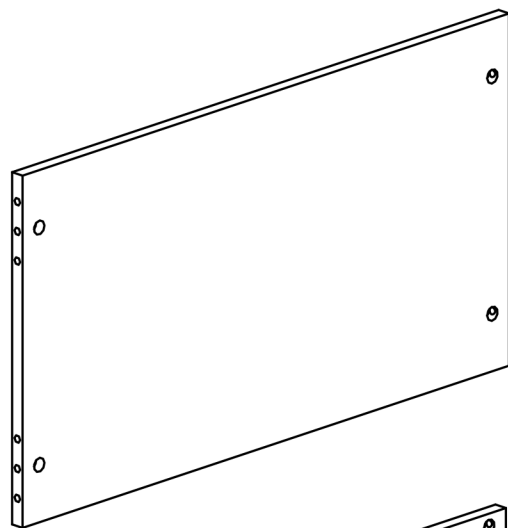
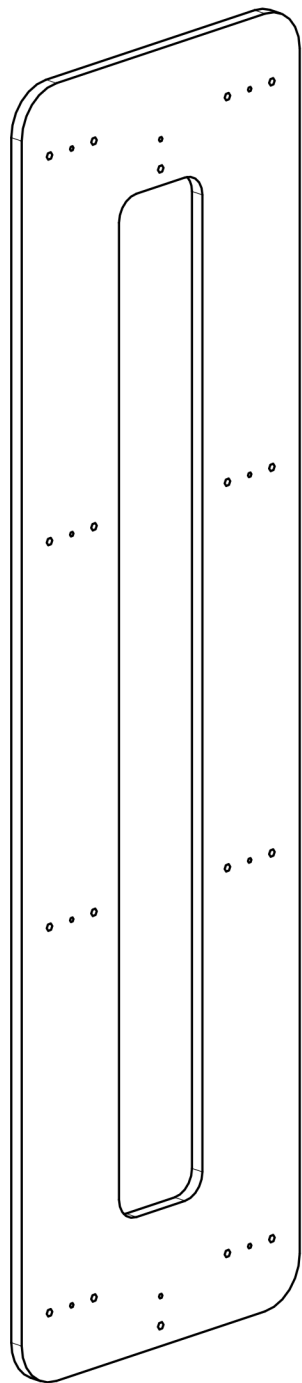
SCREWDRIVER for
BOLTS & ECCENTRICITIES



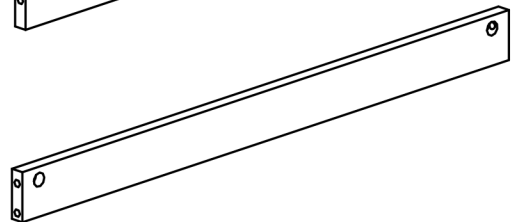
CORDLESS SCREWDRIVER

To avoid damaging furniture
use only low power mode

BK



PK



WSP

| DRONE | RG | S | M | L |
|-------|----|---|---|---|
|-------|----|---|---|---|

| | | | | |
|----|----|----|----|----|
| BK | x2 | x2 | x2 | x2 |
|----|----|----|----|----|

| | | | | |
|----|----|----|----|----|
| PK | x2 | x3 | x4 | x4 |
|----|----|----|----|----|

| | | | | |
|-----|----|----|----|----|
| WSP | x2 | x2 | x2 | x2 |
|-----|----|----|----|----|

SCREWS

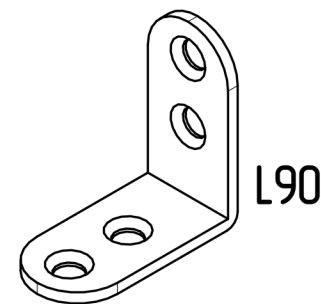
| | |
|-----|----|
| L90 | x2 |
|-----|----|

| | |
|----|-----|
| K8 | x36 |
|----|-----|

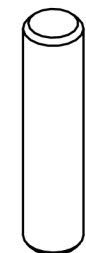
| | |
|-----|-----|
| TRZ | x20 |
|-----|-----|

| | |
|----|-----|
| Mi | x20 |
|----|-----|

| | |
|-----|----|
| W13 | x4 |
|-----|----|



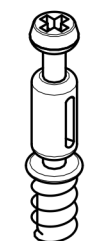
L90



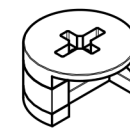
K8
M8x35



W13
M4x13

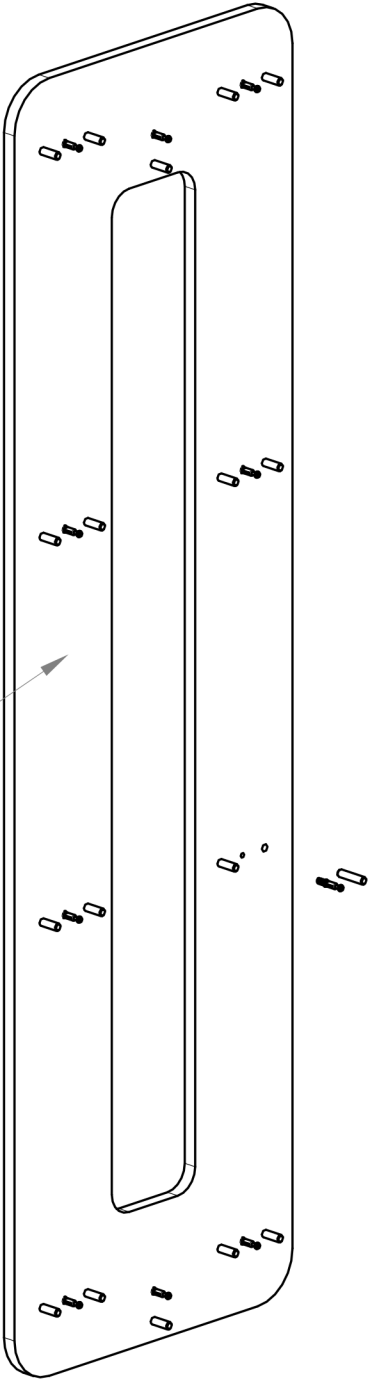


TRZ
M5x35



Mi

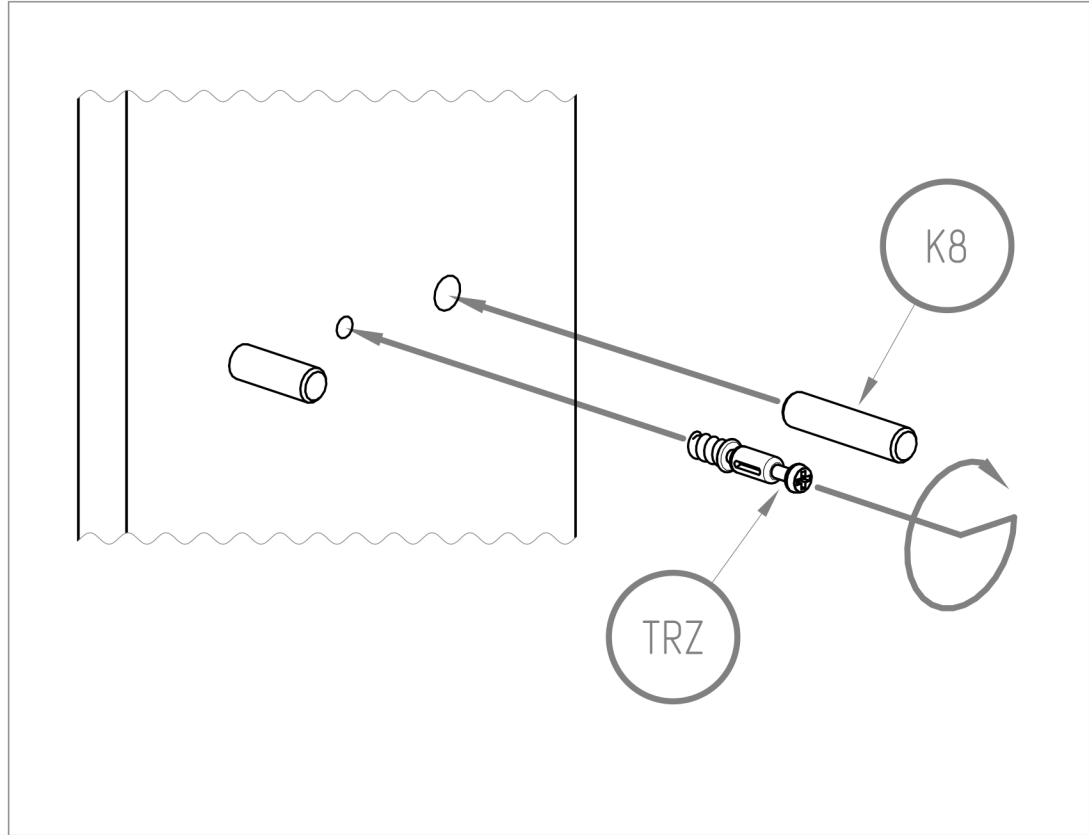
1



BK
x2

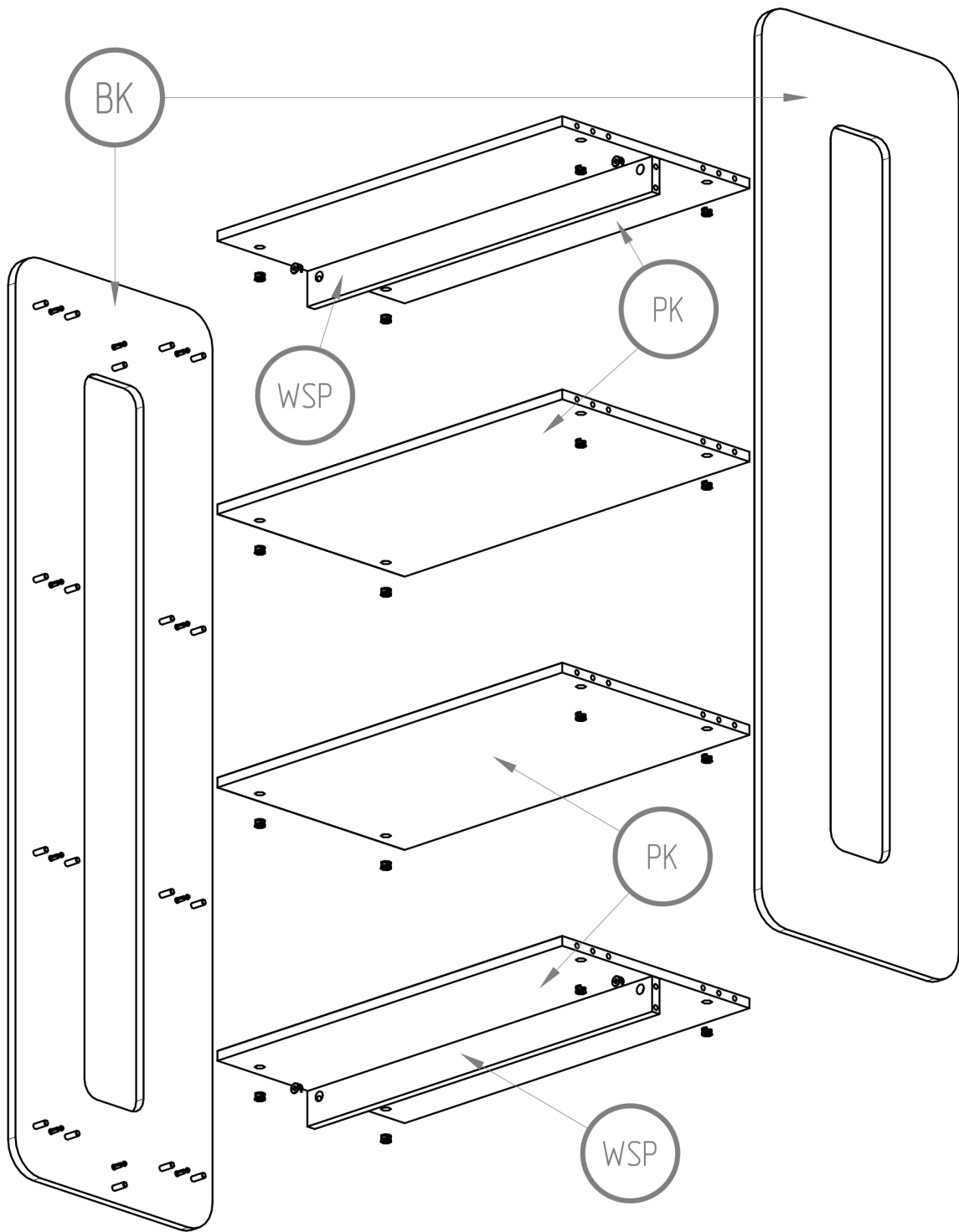
2

- K8 M8x35
- TRZ M5x35

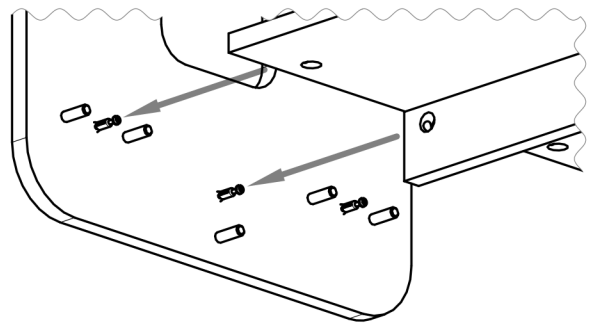


K8
TRZ

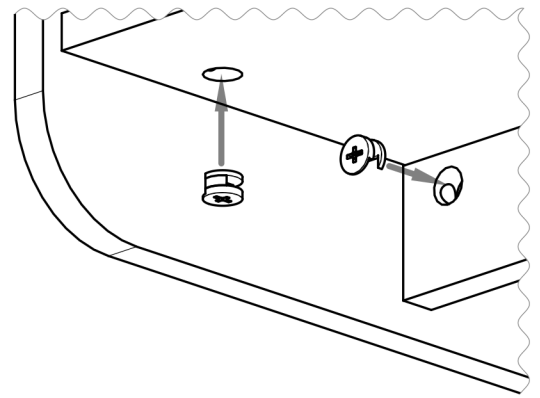
3



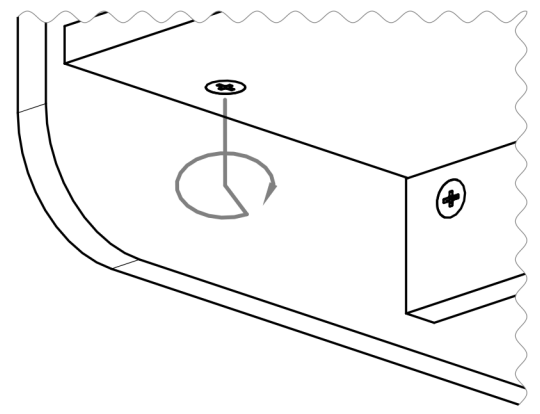
1



2



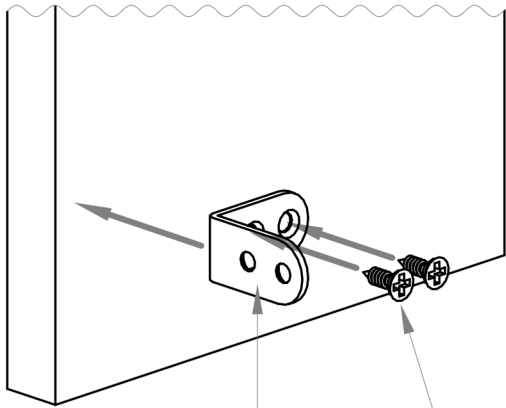
3





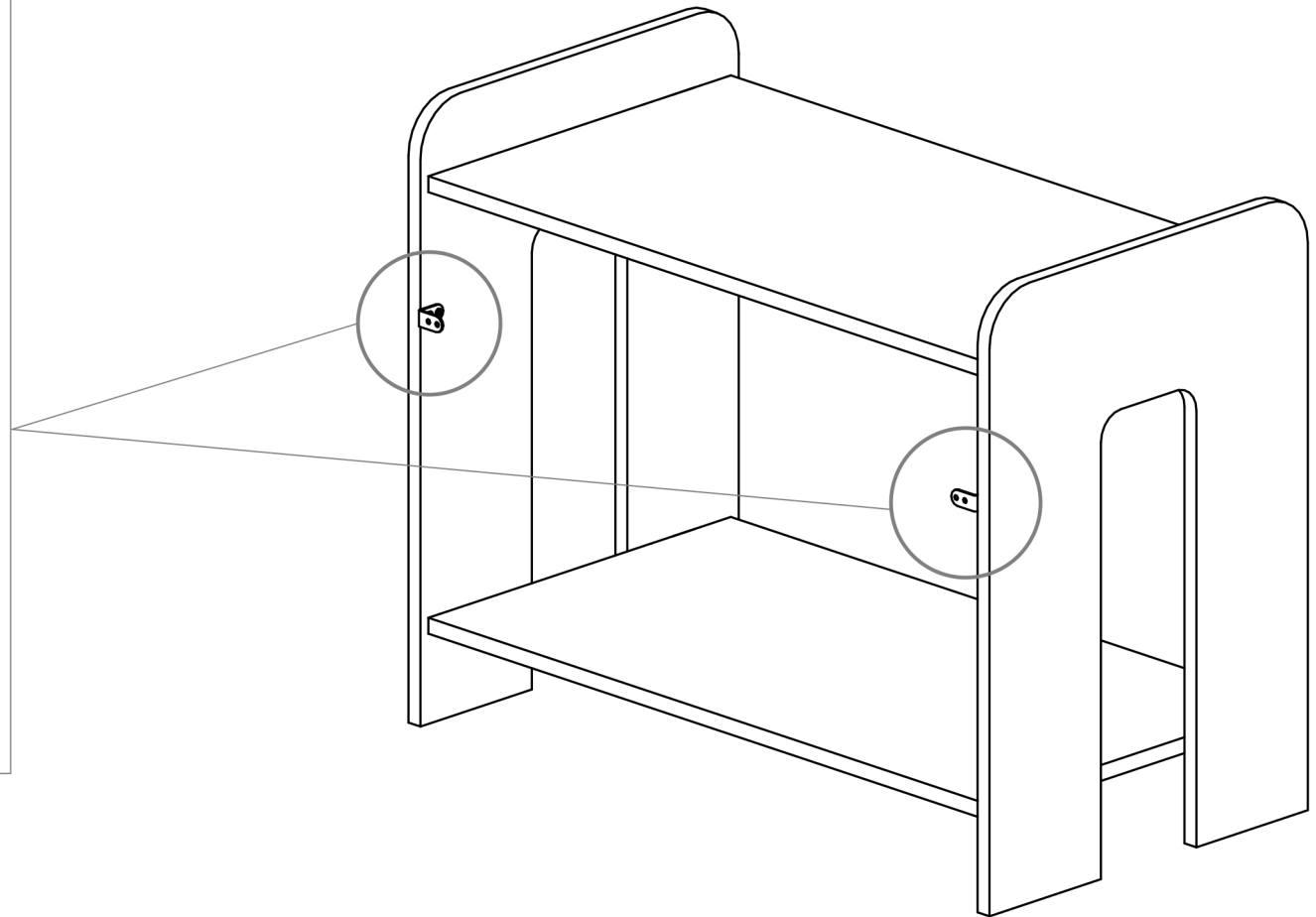
W13
M4X13

THE L90 ANGLE SECTION IS USED
TO FIX THE SHELF TO THE WALL



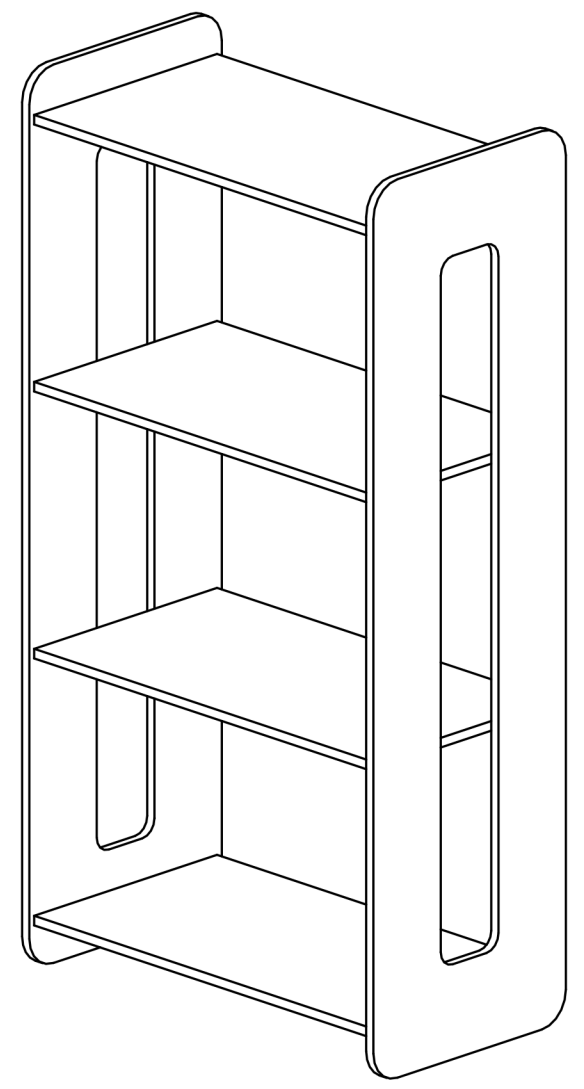
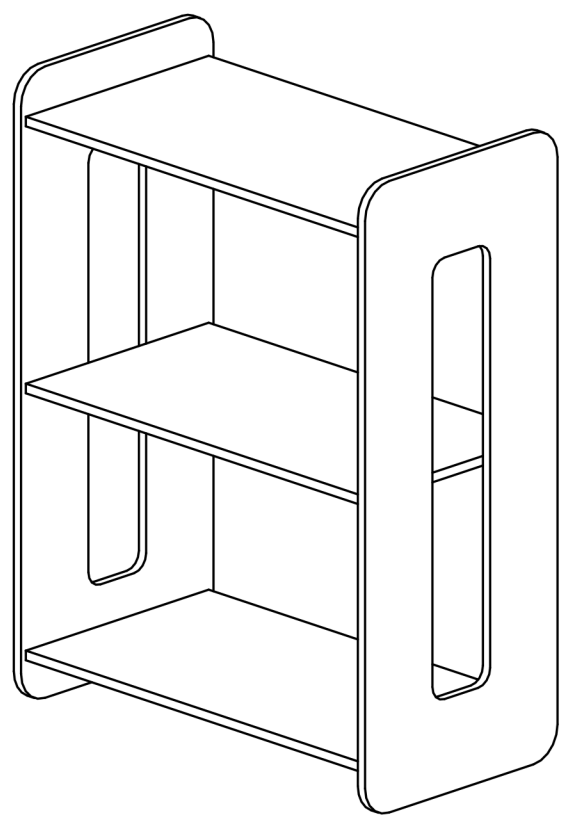
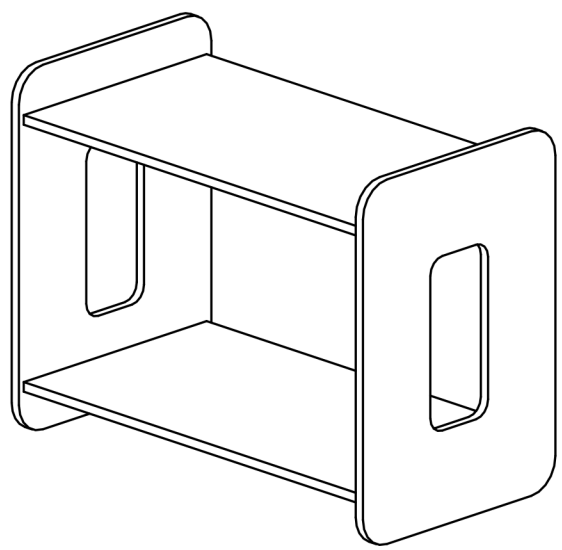
L90

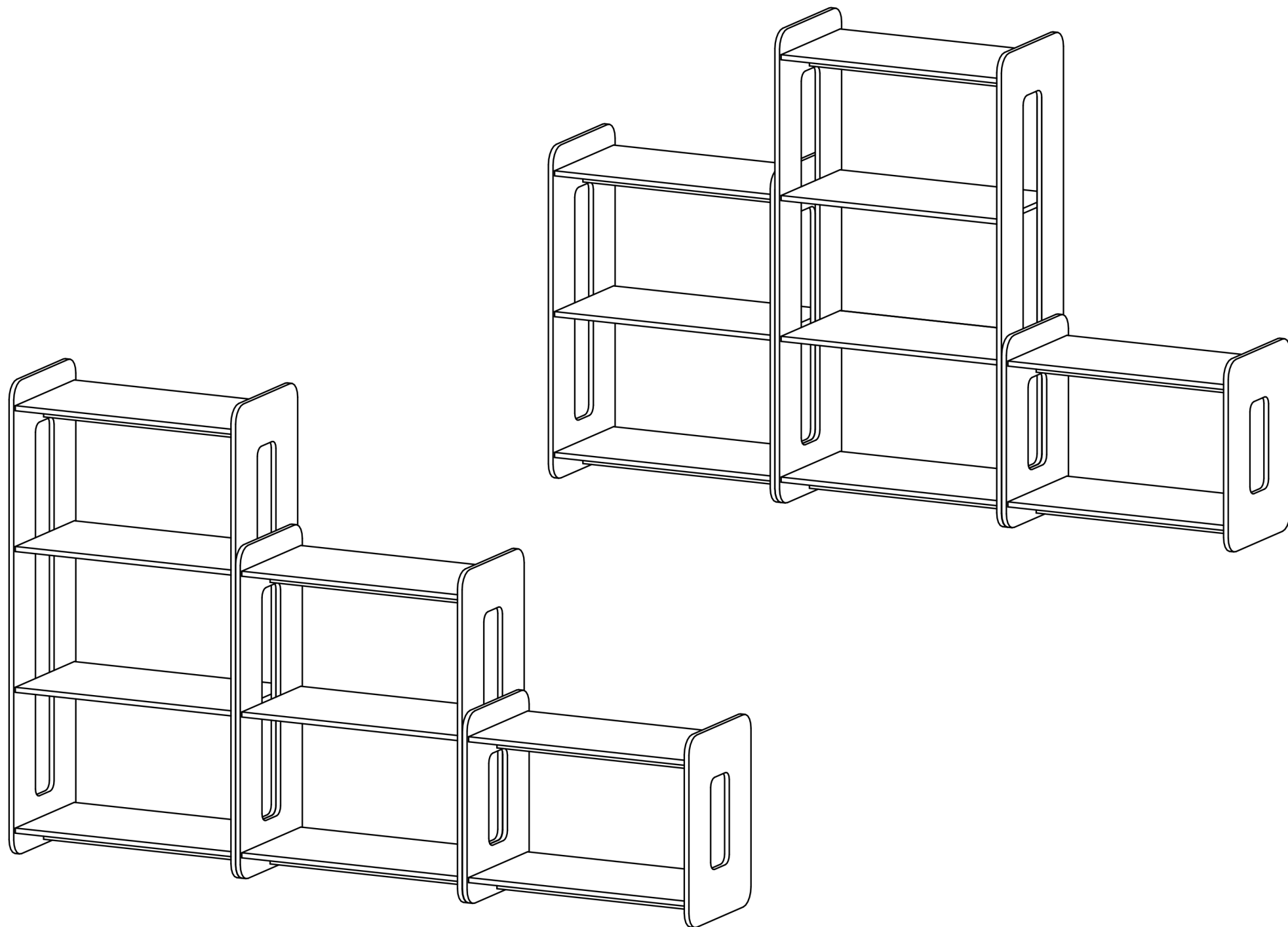
W13

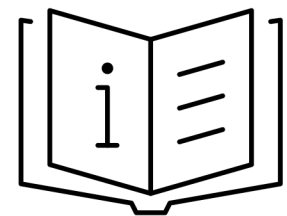


4

Mounting to the wall on your own (screws and plugs not available).







**UWAGA
WAŻNE**

**ATTENTION
IMPORTANT**

**ACHTUNG
WICHTIG**

**ATTENTION
IMPORTANTE**

**ATTENZIONE
IMPORTANTE**

**ATENCIÓN
IMPORTANTE**



Regularnie sprawdzaj, czy wszystkie mocowania są dobrze dokręcone.

Regularly check that all fasteners are properly tightened.

Überprüfen Sie regelmäßig, ob alle Befestigungen gut angezogen sind.

Vérifiez régulièrement que tous les fixations sont bien serrées.

Controlla regolarmente che tutte le fissaggi siano ben stretti.

Revisa regularmente que todos los elementos de sujeción estén bien apretados.



Zawsze postępuj zgodnie z instrukcjami montażu i użytkowania producenta.

Always follow the manufacturer's assembly and usage instructions.

Befolgen Sie immer die Montage- und Gebrauchsanweisungen des Herstellers

Suivez toujours les instructions de montage et d'utilisation du fabricant.

Segui sempre le istruzioni di montaggio e utilizzo del produttore.

Siempre sigue las instrucciones de montaje y uso del fabricante.



Korzystaj wyłącznie z oryginalnych części zamiennych dostarczonych przez producenta.

Use only original spare parts supplied by the manufacturer.

Verwenden Sie nur originale Ersatzteile, die vom Hersteller geliefert werden.

Utilisez uniquement des pièces de rechange d'origine fournies par le fabricant.

Utilizza solo pezzi di ricambio originali forniti dal produttore.

Utiliza únicamente piezas de repuesto originales proporcionadas por el fabricante.



Zapewnij odpowiednią wentylację pomieszczenia, aby uniknąć pleśni.

Ensure proper ventilation in the room to avoid mold.

Sorgen Sie für eine angemessene Belüftung des Raumes, um Schimmel zu vermeiden.

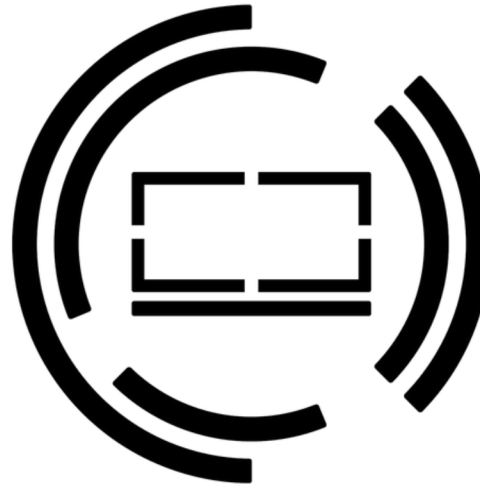
Assurez une ventilation adéquate de la pièce pour éviter la moisissure.

Assicurati di ventilare adeguatamente la stanza per evitare la muffa.

Asegúrate de proporcionar una ventilación adecuada en la habitación para evitar el moho.

ADDRESS

SMARTWOOD
Łazy 103a
37-550 Radymno



smartwood®

CONTACT

PL

shop@smartwood.pl
+48 535 982 922

ENG/DE/FR/IT/ES

*Support only in German and English

shop@smartwood.de
+49 160 98618205

smartwood.pl

smartwood.de

SCAN
ME

